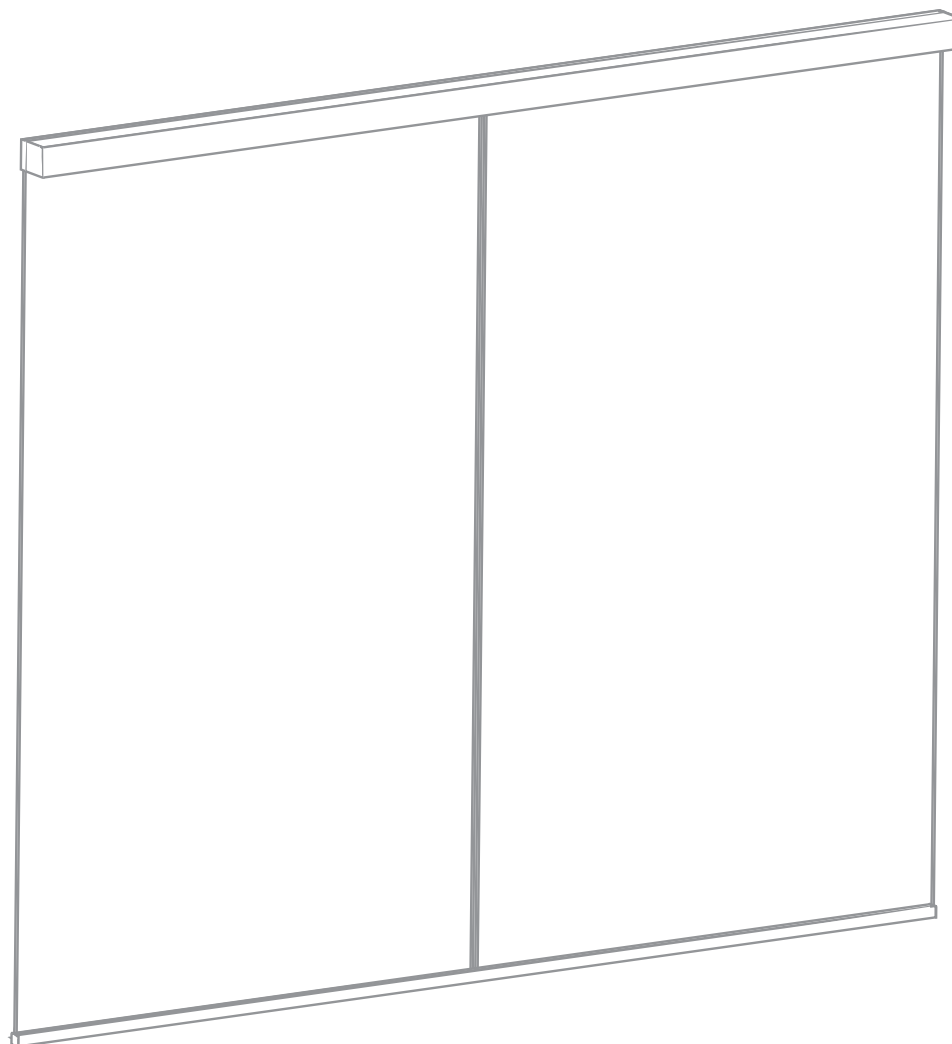


# MUTO Premium XL150/80

Ceiling mount with Dormotion and Sidelites (Wood door)

Installation Manual



# Table of contents

<b>1</b>	<b>Technical specifications</b>	<b>3</b>
1.1	Overview	3
	1.1.1 General information	3
	1.1.2 Intended use	3
	1.1.3 Glass requirements and fittings	3
	1.1.4 Requirements for glass panel	3
	1.1.5 Safety instructions	3
	1.1.6 Symbols used - Safety/Installation	3
	1.1.7 Maintenance, care, repair	3
	1.1.8 Disposal	3
1.2	Specifications - technical data	4
<b>2</b>	<b>Installation instructions</b>	<b>5</b>
2.1	Overall	5
2.2	Door/wall dimensions	6
2.3	Installing the end stops	7
2.4	Securing gasket to track	7
2.5	Securing track and sidelite section profile to mounting surface	8
2.6	Installing U-channel for sidelite	8
2.7	Installing sidelite glass	9
2.8	Installing sidelite glass filler panel	9
2.9	Installing sidelite glass gasket	10
2.10	Securing wood door adaptor	10
2.11	Installing the roller carriers	11
2.12	Install DORMOTION start/stop	12
2.13	Disengaging the anti-jump	13
2.14	Install door/rollers in track	13
2.15	Install floor guide	14
2.16	Engaging anti-jump	14
2.17	Adjustment door height	15
2.18	Adjustment end stop location: TRAILING end stop	16
	Adjustment end stop location: LEADING end stop	16
2.19	Install DORMOTION units	17
2.20	Adjust start/stop pin height (if necessary)	19
2.21	Cover clips	20
2.22	Cover spacers	20
2.23	Install brush profile	21
2.24	Install view protection clips	21
2.25	Install cover and view protection profile	22
2.26	Install end caps	22

# 1 Technical specifications

## 1.1 Overview

These instructions are for installation of MUTO PREMIUM sliding door system XL150/80 with Sidelites for Wood doors for the following mounting and style versions:

### 1. Ceiling mount

#### 1.1.1 General information

- dormakaba requires use of tempered monolithic or tempered laminated glass.
- dormakaba glass hardware is not suitable for application in rooms where chemicals (e.g. chlorine) are used as indoor swimming pools, saunas or salt-water pools.
- Never move sliding panels faster than walking speed and always stop the door manually before it reaches end position.
- Do not slide doors with excessive force. Install limiting stop to prevent door from opening too far.

#### 1.1.2 Intended use

- For sliding door in dry indoor areas only
- For manual slowly opening and closing only

#### 1.1.3 Glass requirements and fittings

- The substructure/wall must be able to bear permanent loads and be level (max. tolerance: 1/16" [2] per 39" [1m]).
- Fasteners must be sufficiently dimensioned for the substructure/wall and weight of the door.
- When adjusting glass components, always stick to the required clearance for the respective hardware. Adjust clearance so glass does not come in contact with any hard surfaces such as glass, metal or concrete.
- Do not use excessive force when installing the glass (avoid over tightening screws).

#### 1.1.4 Requirements for glass panel

- dormakaba requires use of fully tempered glass, which complies with ASTM C 1036 and ASTM C 1048. Secondary heat soaking processes are recommended but not required. This applies to both tempered monolithic and tempered laminated glass.
- Clamping area must be flat and uncoated (no self-cleaning coating!)
- Never use glass with conchoidal fractures and/or damaged edges.

#### 1.1.5 Safety instructions

- Installation requires two people.

- Only properly qualified and specially trained staff are authorized to mount dormakaba glass hardware.
- Due to crushing hazards and possible injury caused by breakage of glass during mounting, corresponding protective clothing (especially gloves and protective goggles) is required.
- Never clamp metal fitting hardware directly to glass surface.

#### 1.1.6 Symbols used - Safety/Installation



##### CAUTION

Mounting components must meet the requirements of substructure/wall and door weight. Please read the technical information for fittings.



##### WARNING

Risk of breaking glass. When installing the door, support the door panel with a block of wood or similar object.



##### TIPS AND RECOMMENDATIONS

Information note



##### CLOSING EDGE

#### 1.1.7 Maintenance, care, repair

- Immediately replace damaged parts.
- Always use original dormakaba parts.
- Clean clamping area with alcohol-based standard commercial cleaning agent before mounting the glass hardware.
- Use a damp cloth for occasional cleaning, especially the track.
- Always use silicone - and oil-free cleaners (e.g. acetone).
- Check glass hardware at regular intervals for proper positioning and smooth operation and correct adjustment.
- High traffic door systems require inspection by properly qualified staff (specialized companies or installation firms.)

#### 1.1.8 Disposal

Disposal in accordance with local, state and national regulations.

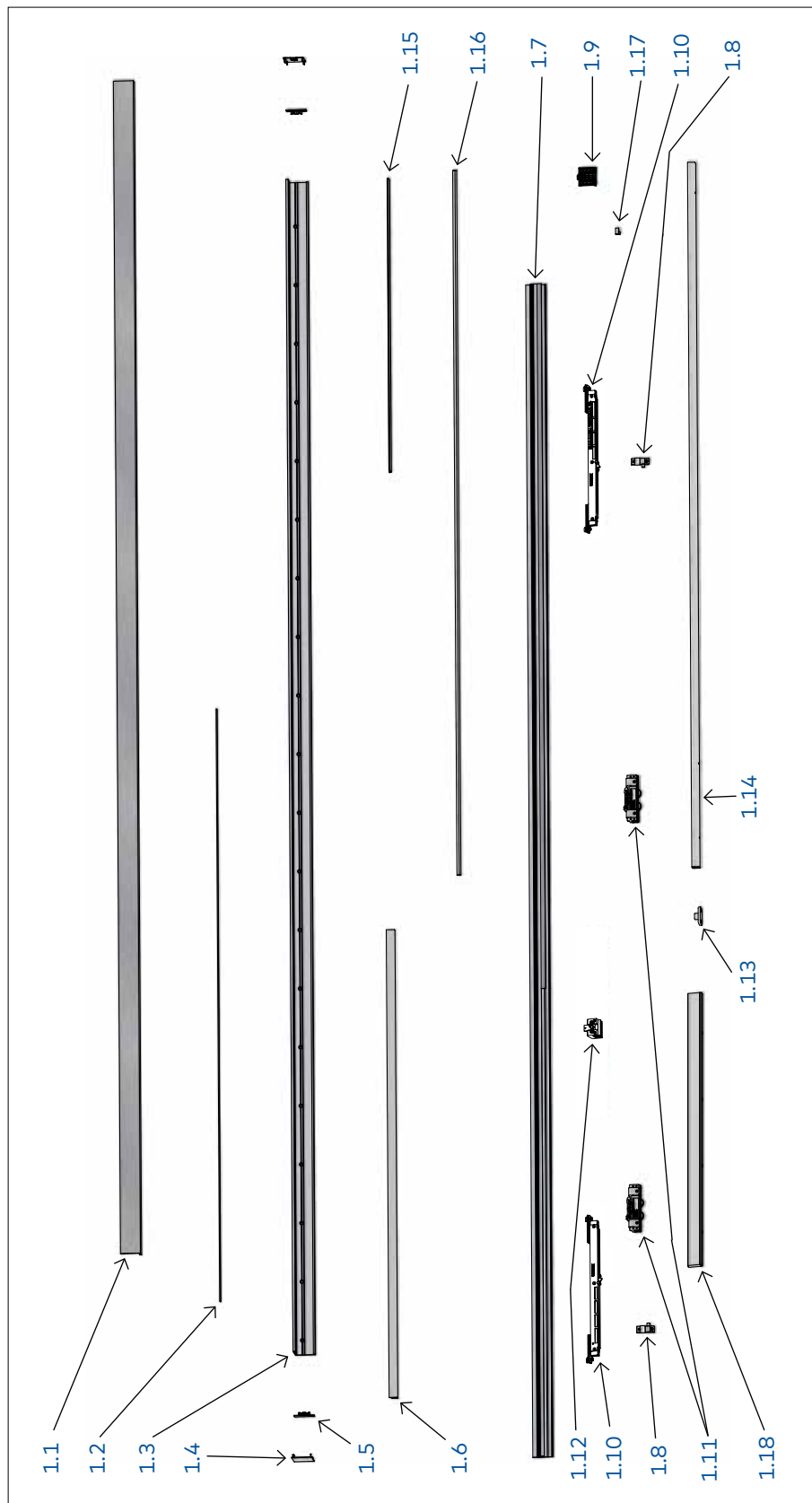
## 1.2 Specifications - technical data

		Single Door		Double Door	
		XL150	XL80	XL150	XL80
<b>Ceiling mount</b>	Door leaf weight lbs [kg] *	≤330lbs [≤150]	≤176lbs [≤80]	2 x ≤330lbs [2 x ≤150]	2 x ≤176lbs [2 x ≤80]

\* Including weight of auxiliary hardware.

# 2 Installation instructions

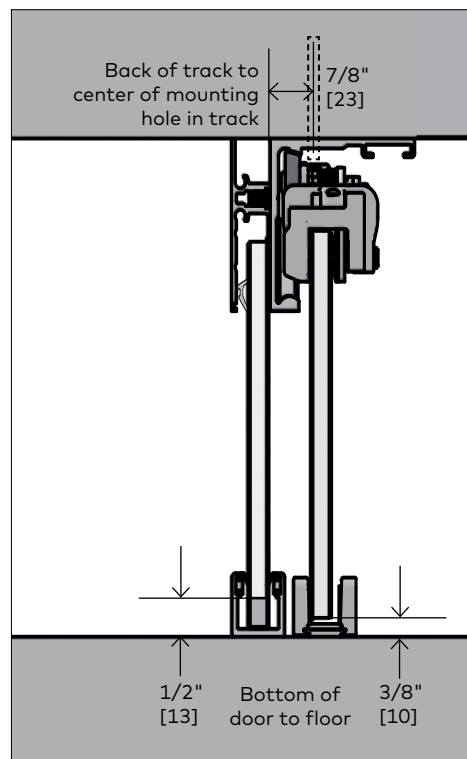
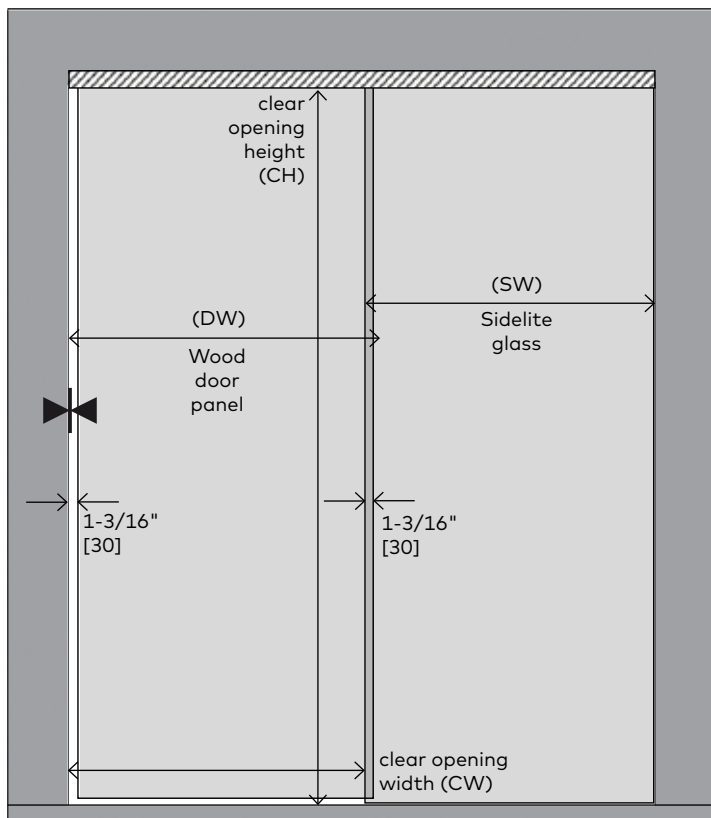
## 2.1 Overall



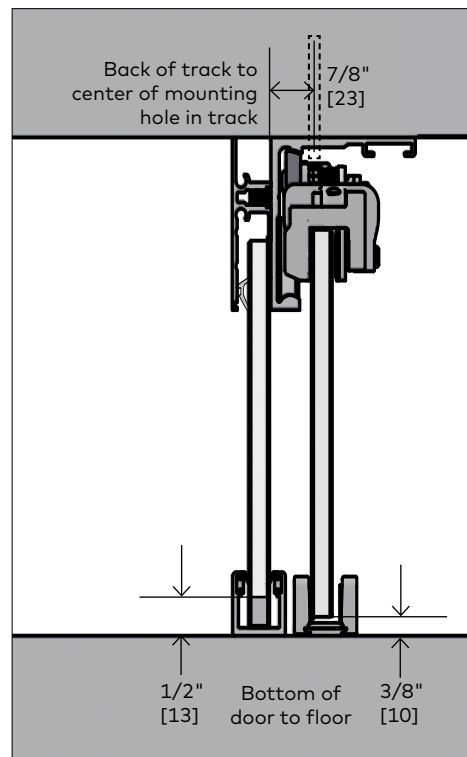
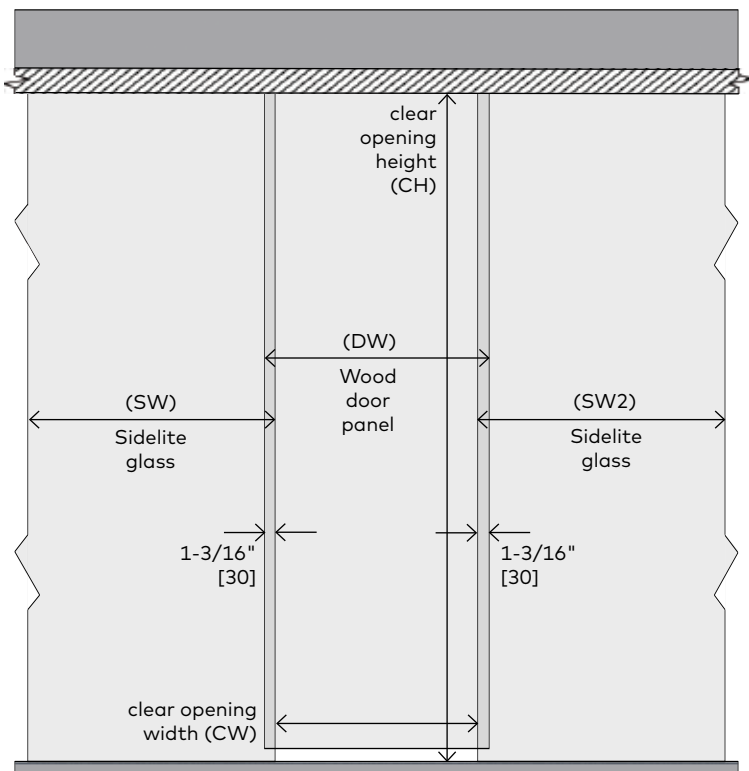
1.1	Cover panel	1.11	Roller carrier	1.15	Sidelite glass gasket
1.2	Brush strip	1.12	Start/stop	1.16	View protection profile
1.3	Track	1.13	Floor guide	1.17	View protection clip
1.4	Cover end cap	1.14	U-channel	1.18	Wood door adaptor
1.5	Sidelite profile end cap				
		1.6	Filler profile		
		1.7	Sidelite profile		
		1.8	End stop		
		1.9	Cover clips		
		1.10	Dormotion unit		

## 2.2 Door/wall dimentions

### Single sidelite mount



### Multiple sidelite mount



**NOTE:**

**Overhead Reinforcement:**

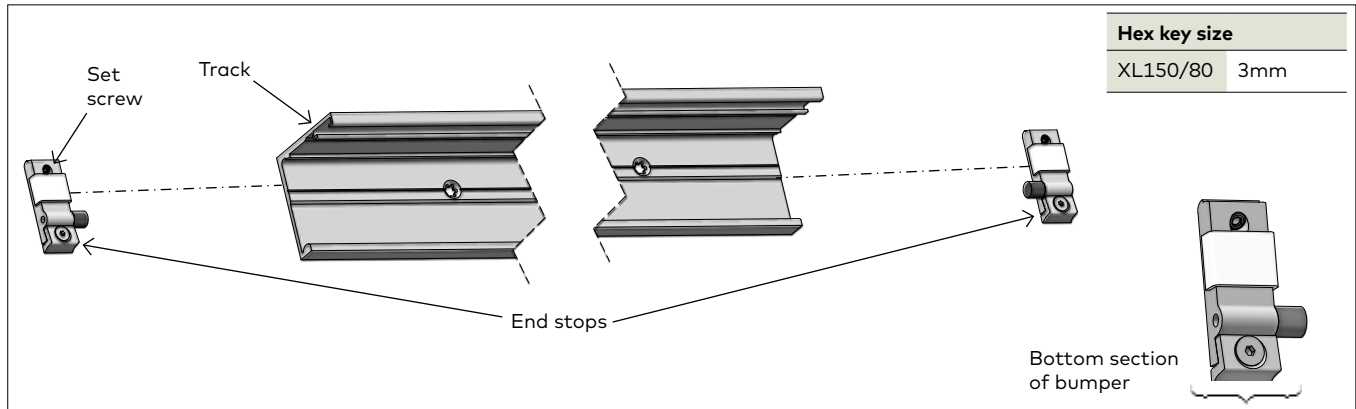
The overhead reinforcement must be a minimum of ¼" [6] x 3" [76] steel angle, 16 gauge metal stud, or two pieces of 1 1/2" [38] thick wood blocking (double stacked), secured to studs or joists on a maximum 16" [406] centers for the length of the track. The overhead reinforcement may be flush on the overhead surface or on the interior of this surface.

Track mounting screws must fully penetrate the steel angle, metal stud, or at a minimum of 2" [51] into wood blocking, utilizing the predrilled holes in the MUTO track.

Consult with a structural engineer to determine if reinforcement is adequate for your specific application or to meet specific codes in your location.

## 2.3 Installing the end stops

Fig 1



2.3.1 Slide bumper stops into each end of the track.

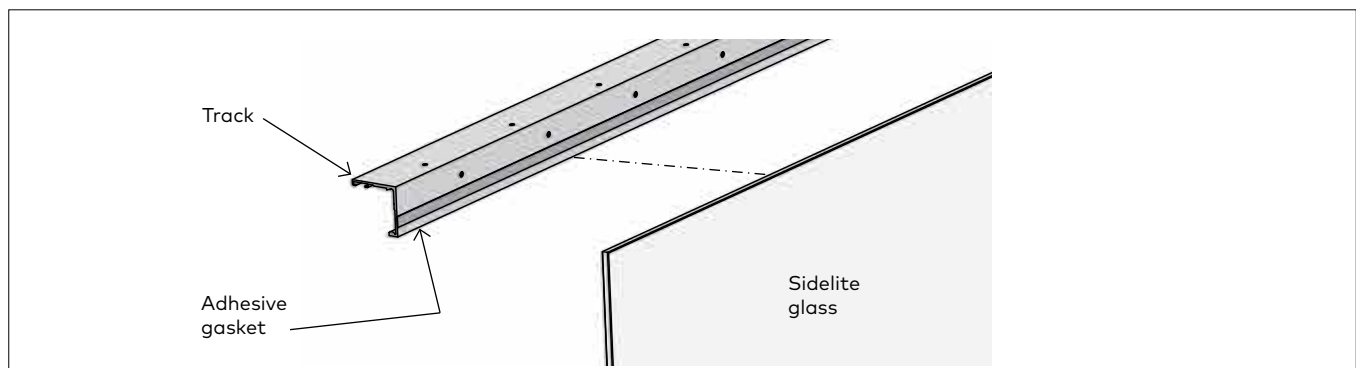
**NOTE: Loosen bottom section of end stop for easier install.**

**NOTE: FOR XL150 end stops, be sure set screw is flush with back of bumper.**

**NOTE: Exact location/adjustments will be determined in the Adjustment End Stop Location step.**

## 2.4 Securing gasket to track

Fig 2



2.4.1 Ensure the track is cut to proper length.

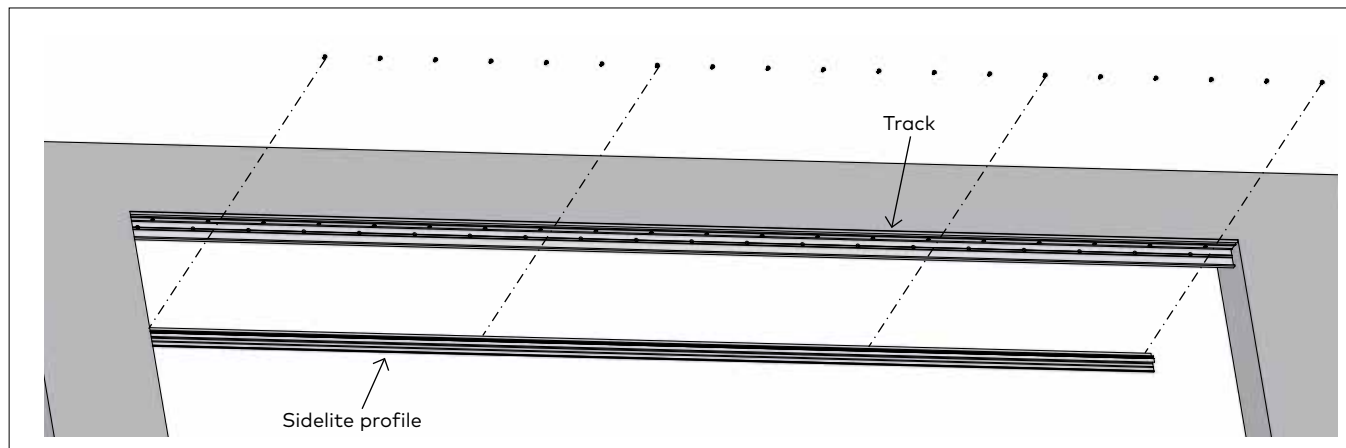
**NOTE: SEE DIMENSION INSTRUCTIONS ON PAGE 6.**

2.4.2 Cut adhesive gasket equal to sidelite glass width.

2.4.3 Adhere gasket along bottom edge of back of track.

## 2.5 Securing track and sidelite section profile to mounting surface

Fig 3



2.5.1 Secure track to mounting surface.

2.5.2 Align predrilled holes in sidelite profile with track profile.

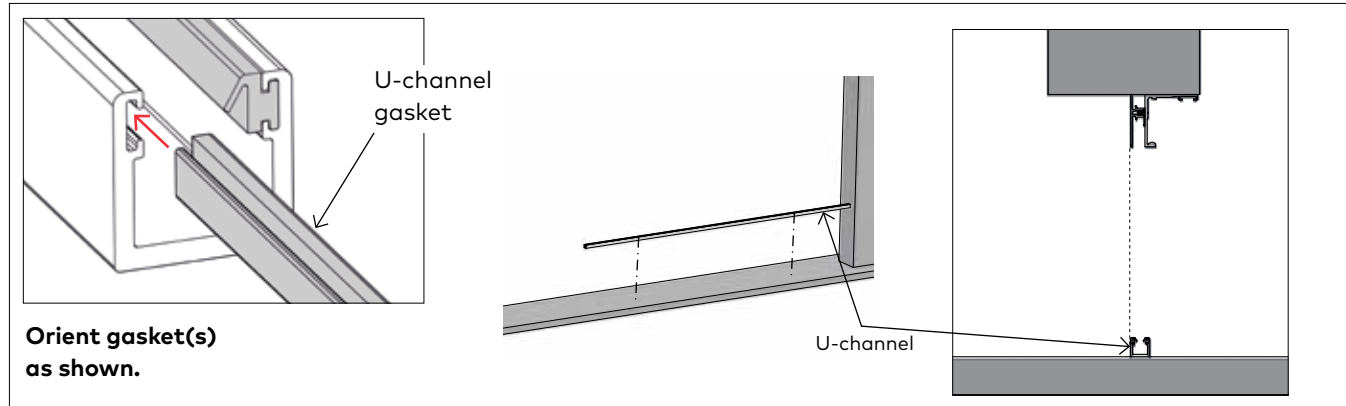
**NOTE: Holes will be predrilled every 7-7/8" [200].**

2.5.3 Secure with proper fasteners.

**NOTE: Be sure fasteners are flush with track to avoid rollers catching protruding fasteners.**

## 2.6 Installing U-channel for sidelite

Fig 4



2.6.1 Install gaskets as shown. Trim to correct length.

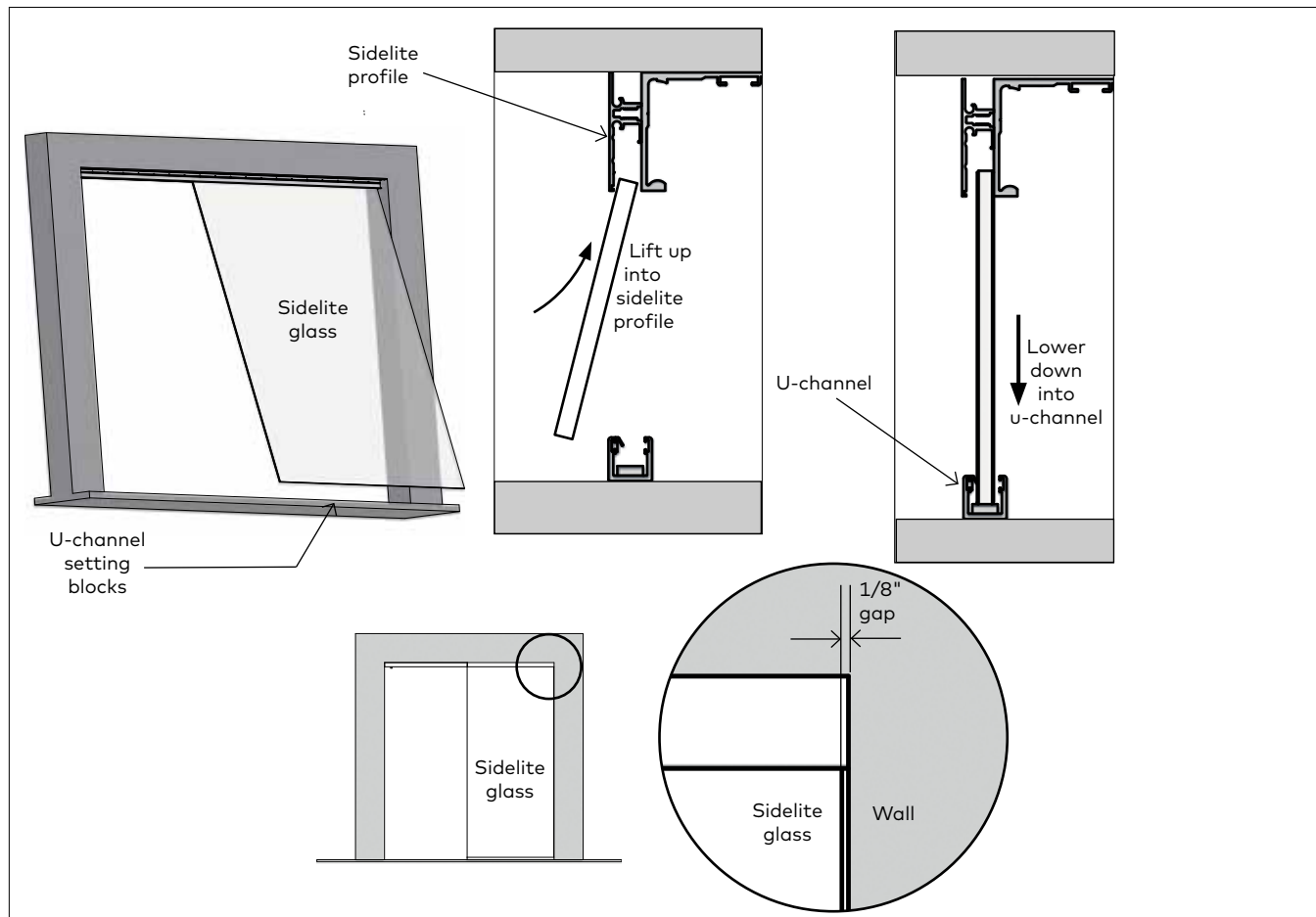
2.6.2 Secure u-channel to floor using appropriate fasteners.

**NOTE: Ensure u-channel is plumb and the back of the u-channel profile aligns with back of sidelite profile.**



## 2.7 Installing sidelite glass

Fig 5

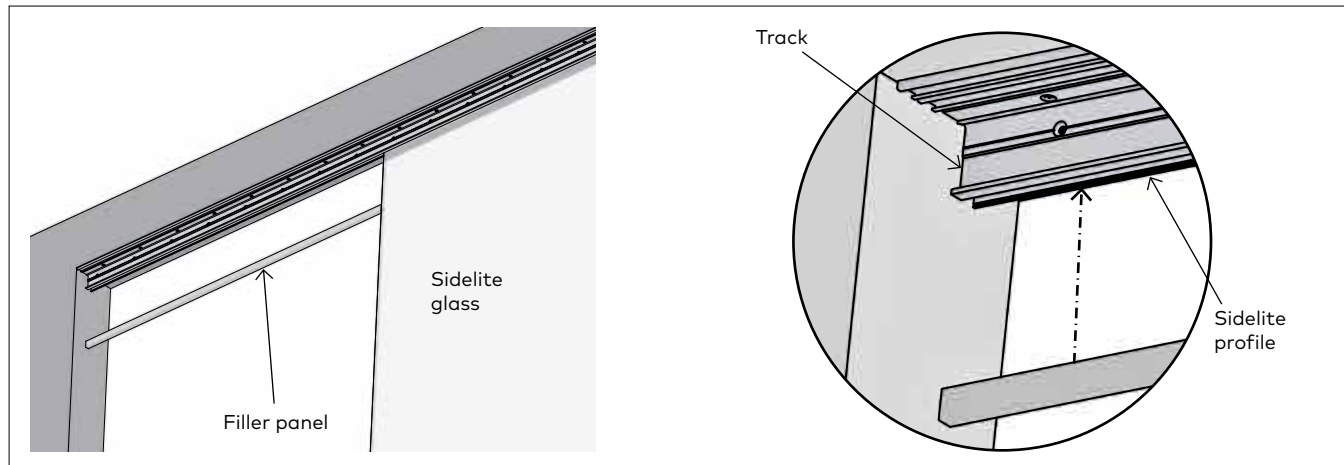


- 2.7.1 Place setting blocks into u-channel.
- 2.7.2 Spray inside of u-channel with glass cleaner.
- 2.7.3 Lift glass up and into sidelite profile.
- 2.7.4 Lower glass into u-channel.

- 2.7.5 Ensure there is 1/8" [3] gap between wall and edge of sidelite glass.
- 2.7.6 If using tempered laminated glass, gently press glass panel against u-channel gasket and dispense silicone along full length of non-gasket side of U-channel.

## 2.8 Installing sidelite glass filler panel

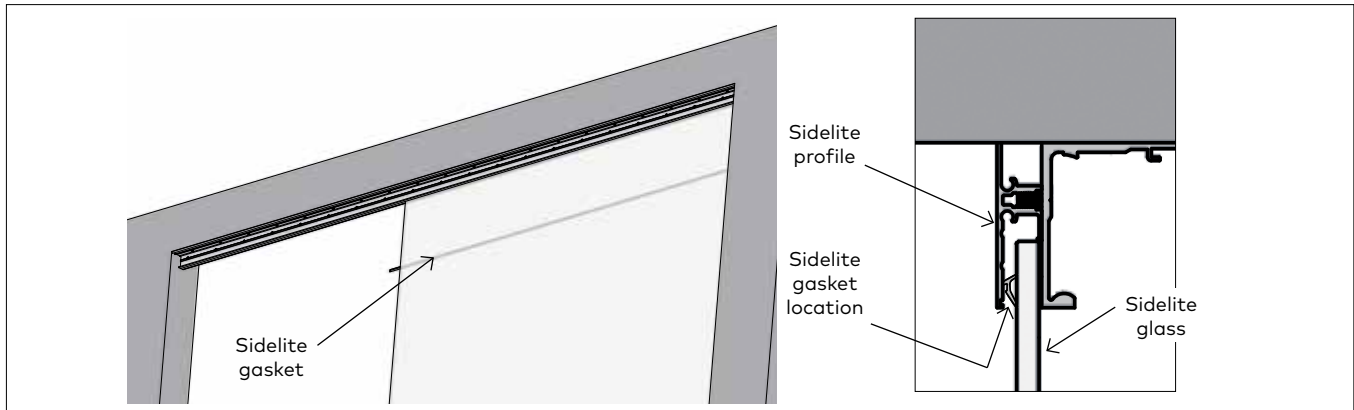
Fig 6



- 2.8.1 Fit filler panel in to gap of door panel section in sidelite profile.

## 2.9 Installing sidelite glass gasket

Fig 7

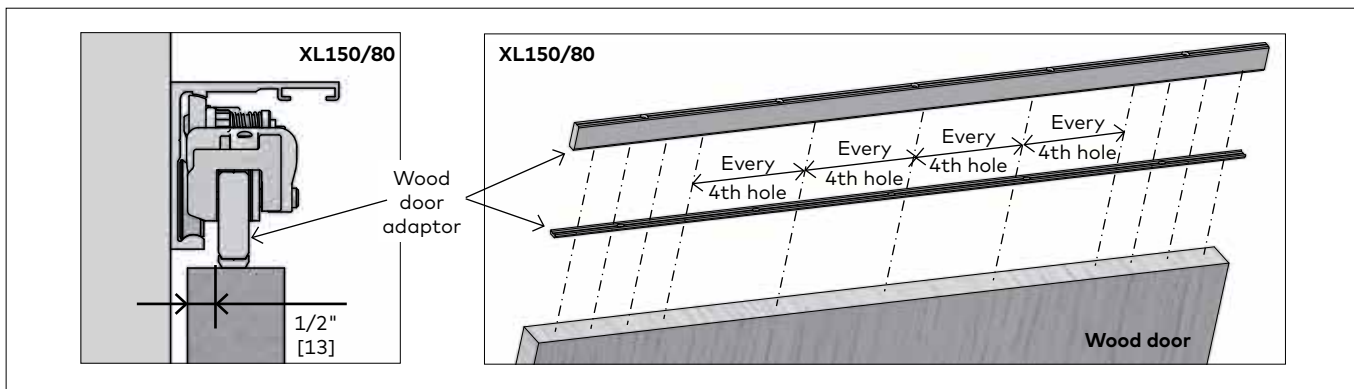


2.9.1 Cut gasket to length per chart above.

2.9.2 Press gasket in between sidelite glass and sidelite profile.

## 2.10 Securing wood door adaptor

Fig 8



**NOTE: Top of door must be reinforced to secure wood door adaptor.**

2.10.1 Prepare door properly for wood door adaptor.

**NOTE: Seal top and bottom of door to minimize warping (use wood door manufacturer's recommendations).**

2.10.2 Cut wood door adaptor to be equal width of door.


2.10.3 Secure the two wood door adaptor pieces to top of wood door with #10 x 3" wood screws.

**NOTE: Be sure screws are always secured in the first four and last four holes of the adaptor, along with every fourth hole in between.**

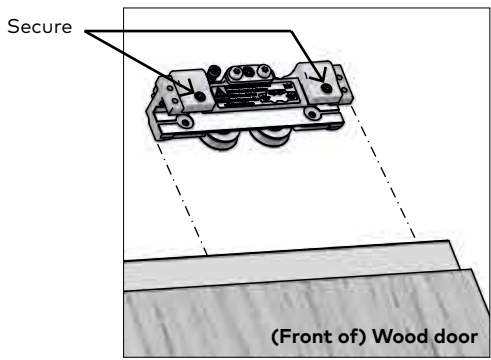
## 2.11 Installing the roller carriers

Fig 9

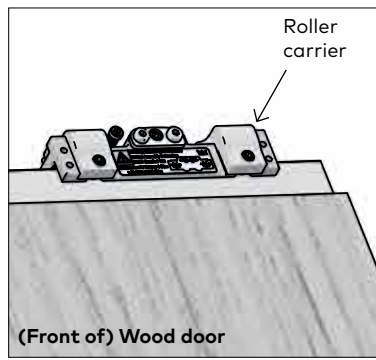
**DETERMINE THE LEADING (X) VERSUS TRAILING (Z) EDGE OF THE GLASS.**  
**"LEADING IS SIDE CLOSEST TO LATCH CLOSED."**



Roller location on wood door with DORMOTION unit			
XL150/80			
Single door	X	3-1/8"	[80]
Double door	X	1-9/16"	[40]
Single door	Z	1-9/16"	[40]
Double door	Z	2-3/8"	[60]



(Front of) Wood door



(Front of) Wood door

Legend	
	Closing edge of door

Torque values	
XL150/80	10ft lbs [14Nm]

Hex key size	
XL150/80	4mm

**NOTE: FULLY CLEAN SURFACE OF ADAPTOR WITH AN ALCOHOL-BASED MILD GLASS AND SURFACE CLEANER.**

**ENSURE GASKET IS FREE OF DEBRIS.**

**ENSURE ROLLER CARRIER WHEELS ARE FREE OF DEBRIS.**

2.11.1 Slide roller carriers onto wood door adaptor.

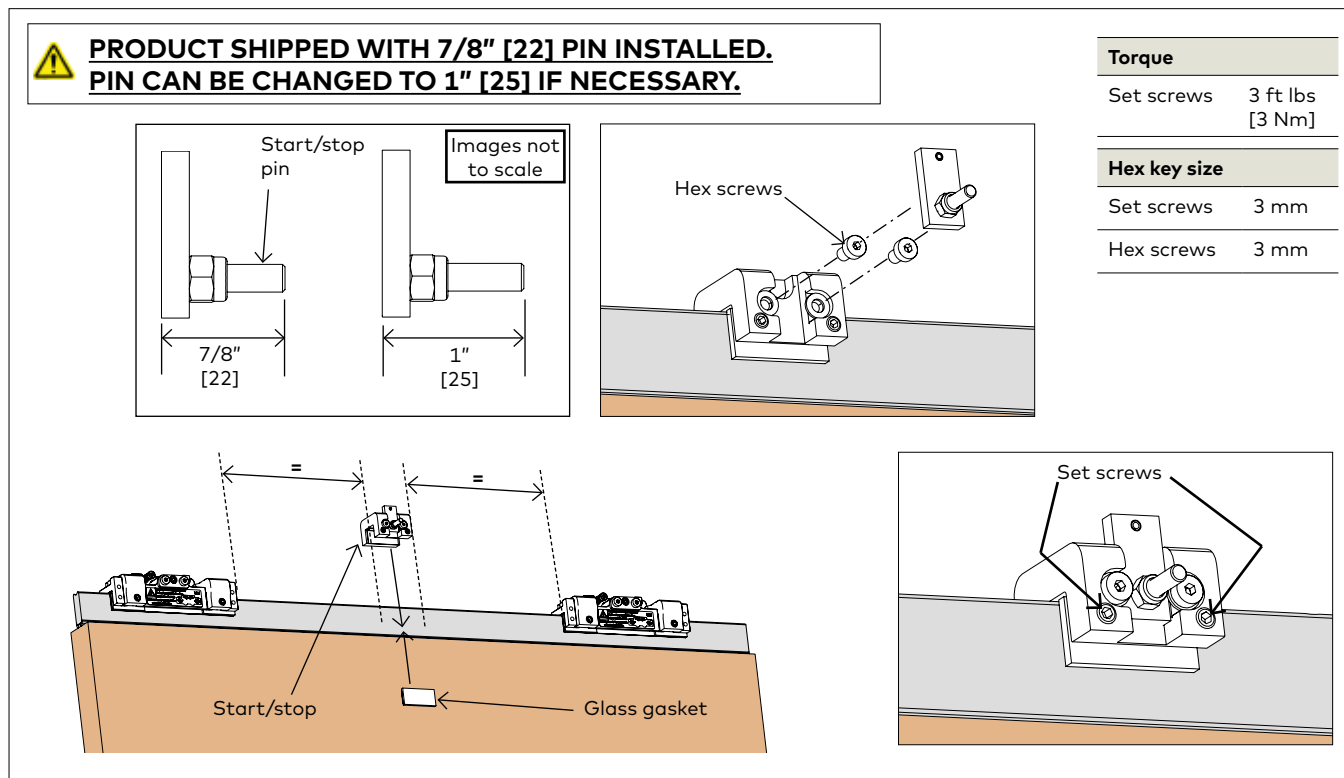
2.11.2 Slide gasket and metal shim between adaptor and roller carrier.

**NOTE: Orient with gasket facing the adaptor.**

2.11.3 Secure roller carriers to wood door adaptor using appropriate-size hex key at 10ft lbs (14 Nm).

## 2.12 Install DORMOTION start/stop

Fig 10



**NOTE: Determine a pin length based upon how square and plumb the opening is.**

2.12.1 If required, change pin in start/stop assembly.

- Remove hex screws.
- Remove existing pin and plate.
- Swap in appropriate pin and plate.
- Replace hex screws.

2.12.2 Slide start/stop onto glass.

2.12.3 Center equally between the carriers.

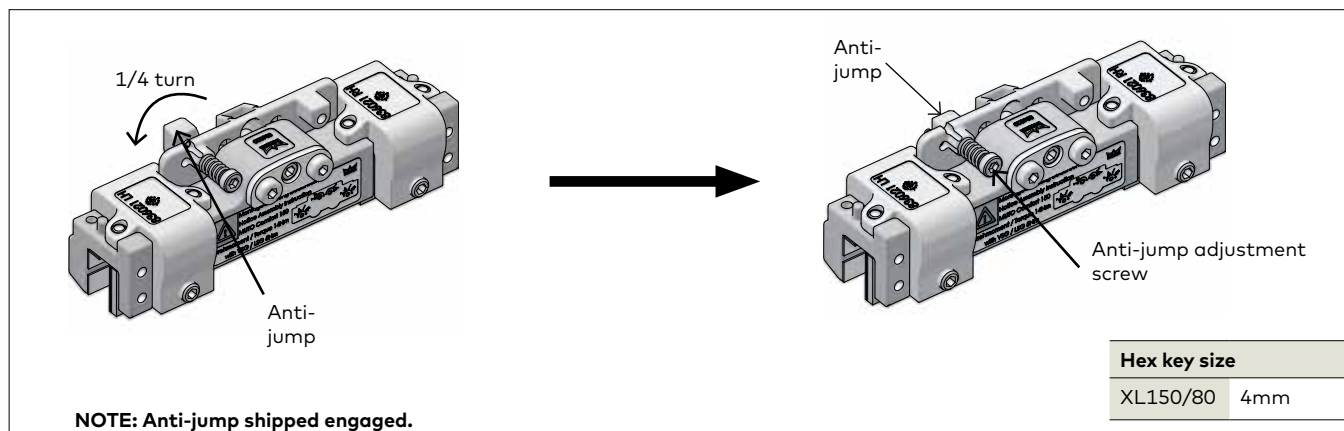
2.12.4 Slide glass gasket between start/stop and glass.

**NOTE: Orient with gasket facing glass.**

2.12.5 Secure start/stop via set screws.

## 2.13 Disengaging the anti-jump

Fig 11



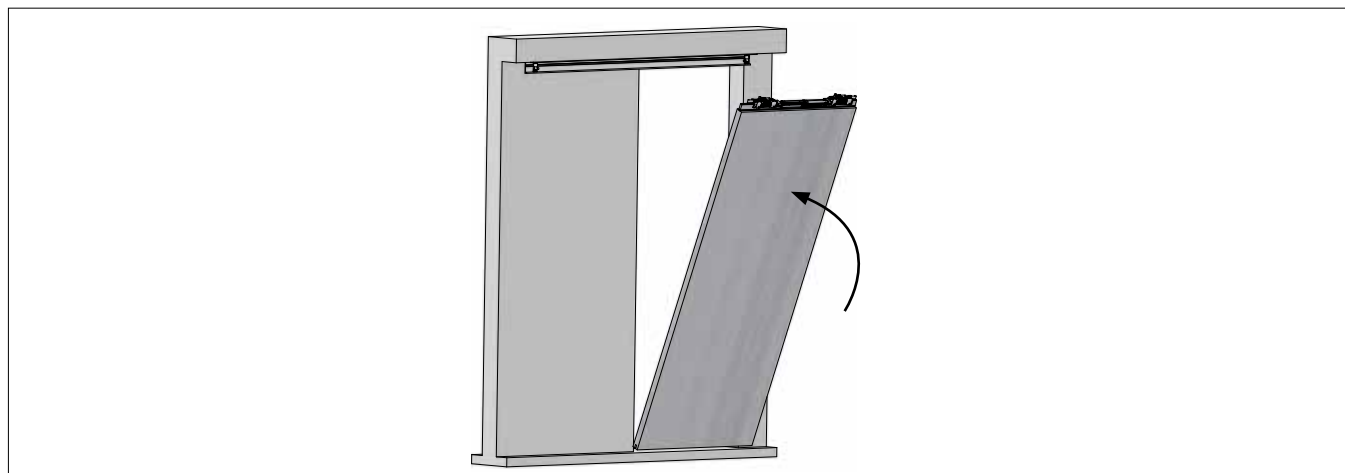
**NOTE: Anti-jump shipped engaged.**

2.13.1 Disengage the anti-jump on roller carrier.

**NOTE:** Using the appropriate-size hex key, push anti-jump adjustment screw **IN** and turn **COUNTER-CLOCKWISE 90°** to **disengage** anti-jump.

## 2.14 Install door/rollers in track

Fig 12

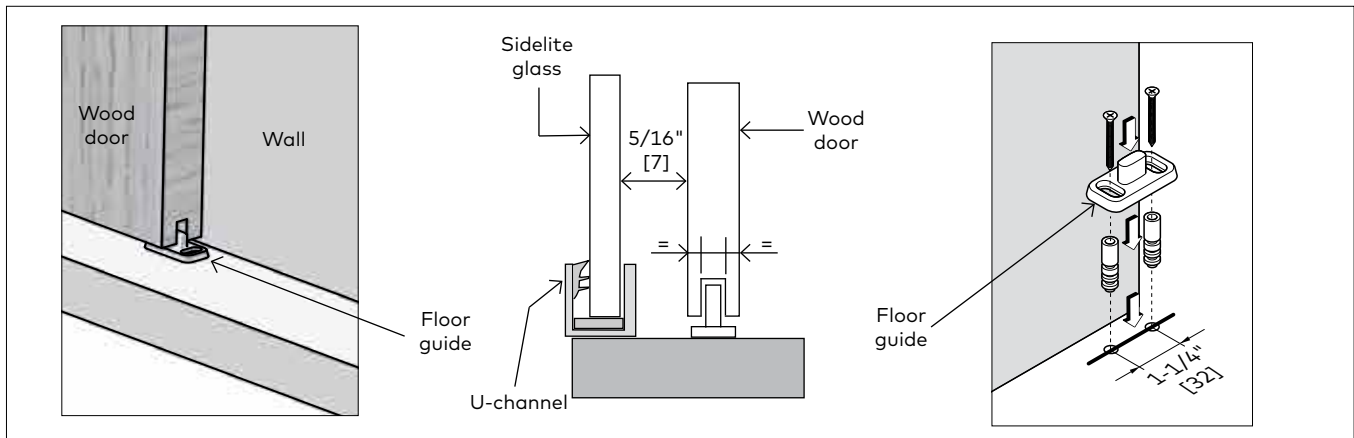


**⚠ ENSURE ROLLERS AND TRACK ARE FREE OF DEBRIS.**

2.14.1 Tip wood door and rollers upward and rest rollers on track.

## 2.15 Install floor guide

Fig 13

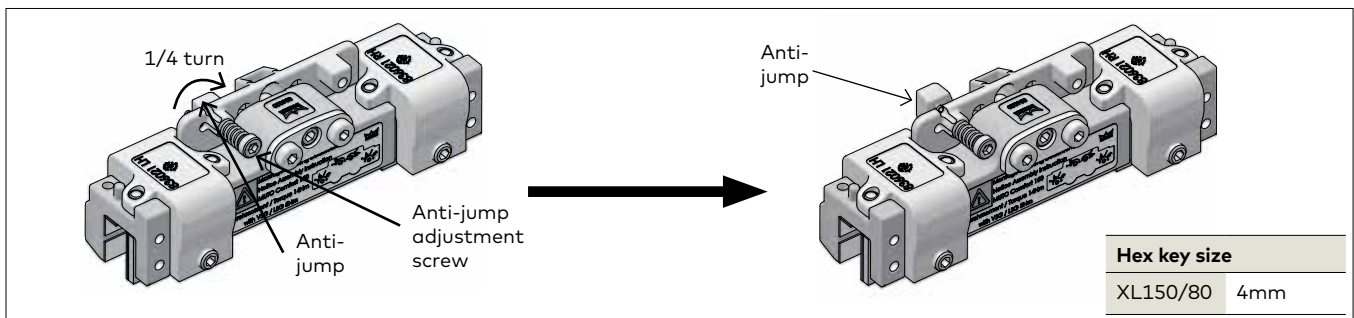


### REMEMBER ANTI-JUMP IS DISENGAGED!

- 2.15.1 Temporarily slide floor guide into bottom groove of wood door.
- 2.15.2 Be sure the door is plumb.
- 2.15.3 Mark appropriate floor guide measurements.
- 2.15.4 **TEMPORARILY REMOVE WOOD DOOR AND ROLLERS FROM TRACK (TO ALLOW FOR DRILLING SPACE).**
- 2.15.5 Pre-drill into mounting surface using a 5/16" drill bit.
- 2.15.6 Secure floor guide with included fasteners.
- 2.15.7 **SET WOOD DOOR AND ROLLERS BACK ONTO TRACK.**

## 2.16 Engaging anti-jump

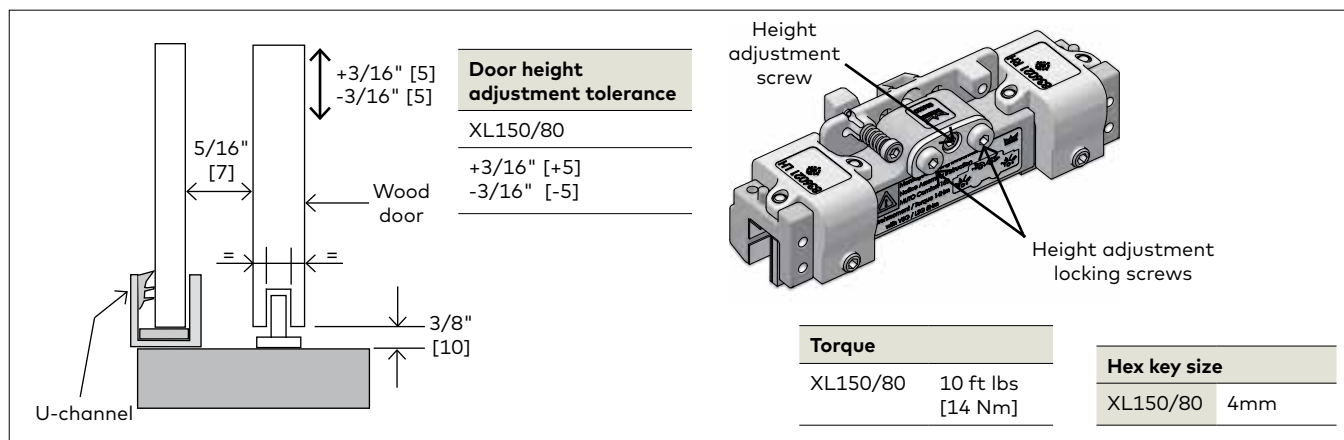
Fig 14



- 2.16.1 Engage anti-jump on roller carrier.
- 2.16.2 Using appropriate-size hex key, push anti-jump adjustment screw IN and turn **CLOCKWISE** 90° to **engage** anti-jump.

## 2.17 Adjustment door height

Fig 15



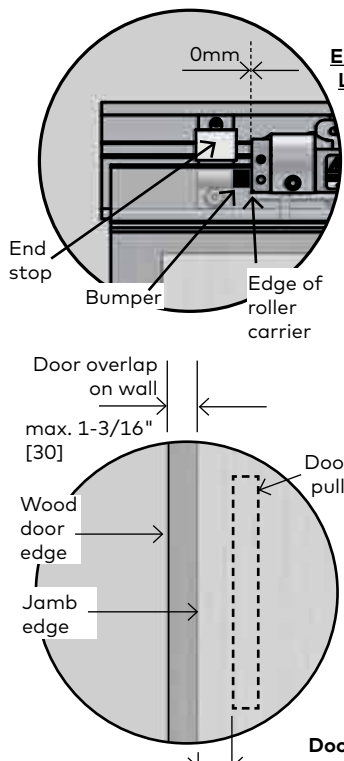
- 2.17.1 Set height of glass door.
- 2.17.2 Loosen height adjustment locking screws of carrier.

- 2.17.3 Using appropriate-size hex key, turn height adjustment screw **CLOCKWISE** or **COUNTER-CLOCKWISE** to raise or lower door.

**NOTE:** Be sure wood door is level during this adjustment.

## 2.18 Adjustment end stop location: LEADING end stop

Fig 16



**END STOP LOCATION:  
LEADING EDGE**

0mm

End stop

Bumper

Edge of roller carrier

Door overlap on wall  
max. 1-3/16" [30]

Wood door edge

Jamb edge

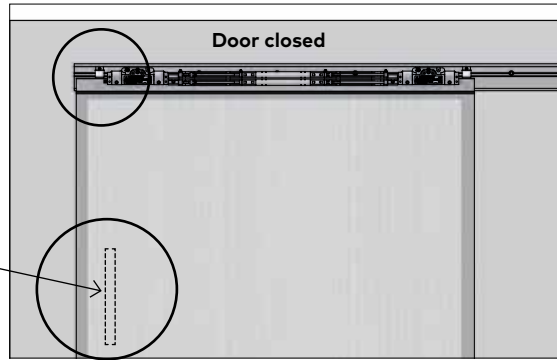
Door pull

Door pull to jamb distance.  
\*Verify with local jurisdiction.\*

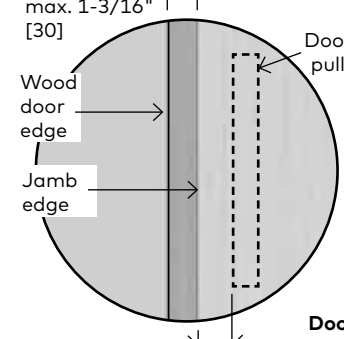
**NOTE: bi-folding:  
Be sure there is a  
1/4" [6] gap between  
the right and left hand  
sets.**

Hex key size	
XL150/80	3mm

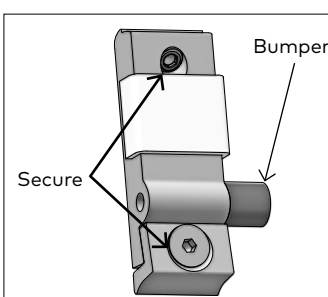
**Set end stop locations:**  
2.18.1 Slide end stop to desired location on track. Bumper should touch edge of roller carrier.



Door closed



Torque	
XL150/80	3 ft lbs [4 Nm]

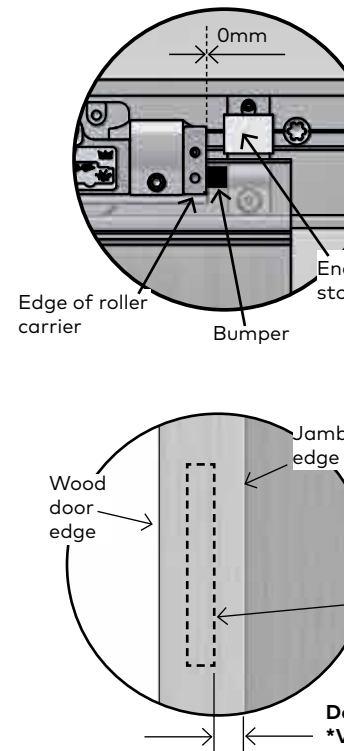


Secure

Bumper

## Adjustment end stop location: TRAILING end stop

Fig 17



**END STOP LOCATION:  
TRAILING EDGE**

0mm

Edge of roller carrier

Bumper

End stop

Wood door edge

Jamb edge

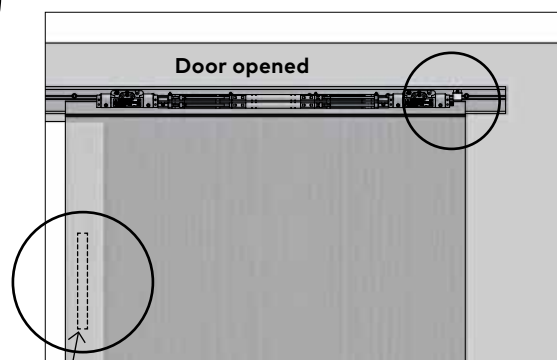
Door pull

Door pull to jamb distance.  
\*Verify with local jurisdiction.\*

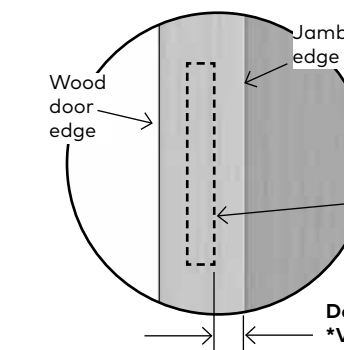
**NOTE: bi-folding:  
Be sure there is a  
1/4" [6] gap between  
the right and left hand  
sets.**

Hex key size	
XL150/80	3mm

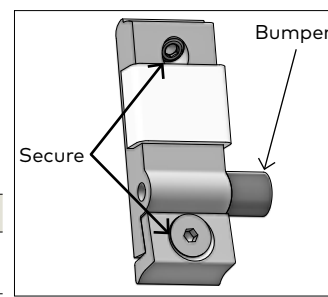
**Set end stop locations:**  
2.18.1 Slide end stop to desired location on track. Bumper should touch edge of roller carrier.



Door opened



Torque	
XL150/80	3 ft lbs [4 Nm]



Secure

Bumper



## 2.19 Install DORMOTION units

Fig 18

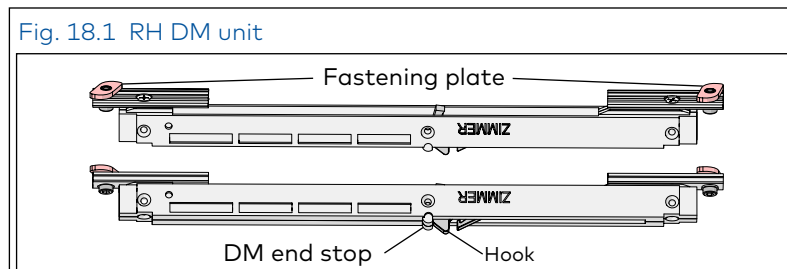


Fig. 18.2 RH DM unit fastening plates rotated

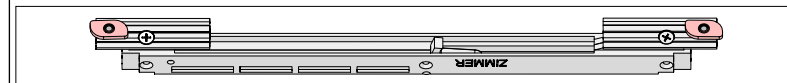


Fig. 18.3 RH DM unit inserted in track

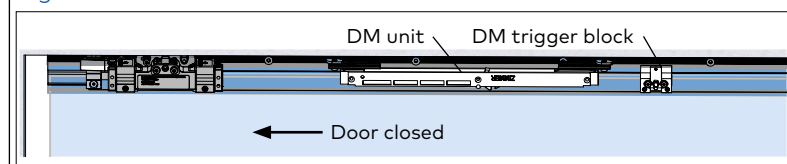


Fig. 18.4 DM unit hook positioned in trigger

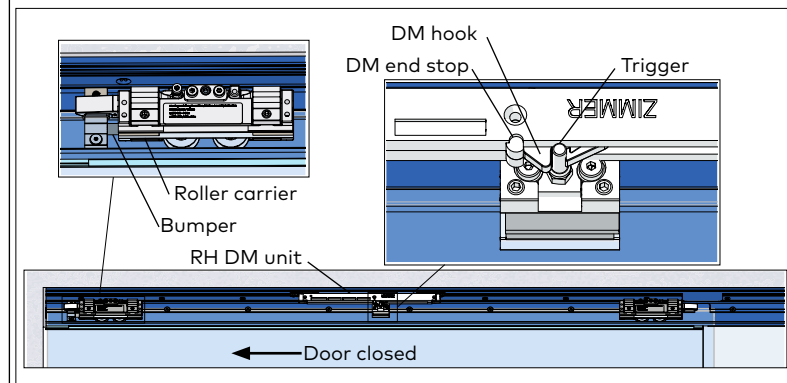


Fig. 18.5 DM unit end stop and hook separation adjustment

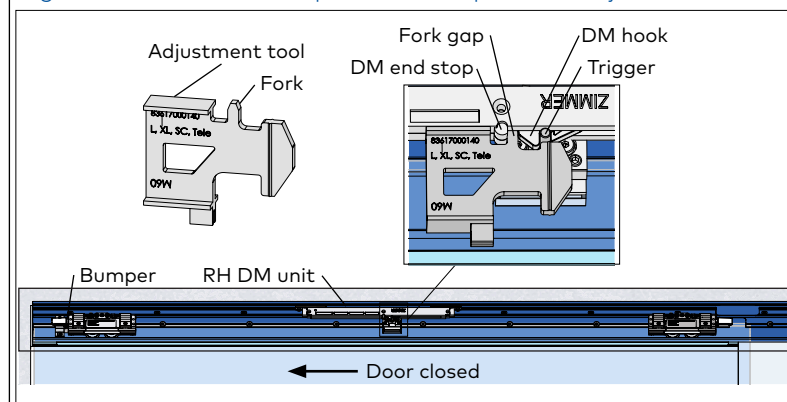
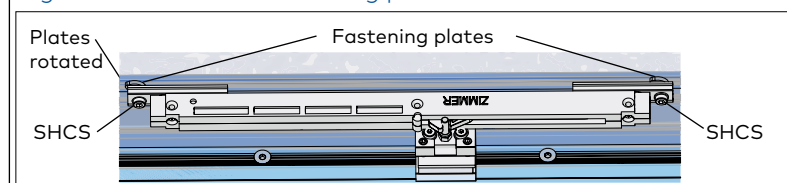


Fig. 18.6 RH DM unit fastening plates secured in track



### RH Dormotion -door closed

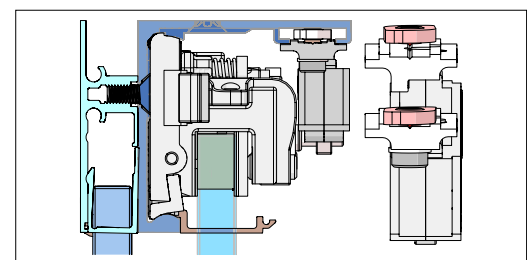
#### 2.19.1 Rotate RH DM fastening plates.

- Using 4 mm hex key, loosen fastening plate hex screws.
- Rotate fastening plates until they are parallel to the DM unit (Fig. 18.2)
- Snug hex screws.

#### 2.19.2 Move door to close position.

- For installation of RH DM unit, door must be in the closed position against bumper.

Fig. 18.7 RH DM unit aligned in track



#### 2.19.3 Align DM unit in track, engage DM hook in DM trigger.

- Align DM unit in track (Fig. 18.7).
- Slide DM unit over the DM trigger block until the DM hook engages the DM trigger (Fig. 18.4)

#### 2.19.4 Use adjustment tool to set DM unit final position.

- Place adjustment tool flat against DM unit with fork between DM hook and DM end stop (Fig. 18.5).
- Slide DM unit over until hook and DM end stop are against the fork. This sets 5 mm gap (fork gap).
- **Trigger height:** Adjust so trigger sets on top of adjustment tool (Para. 2.19).

#### 2.19.5 Secure the DM unit in position.

- NOTE: Insure door is fully closed against bumper before performing this step.
- Using 4 mm hex key, tighten DM unit fastening plate socket head cap screws . Fastening plates must engage the track (Fig. 18.6 and .8).

#### Torque

Socket head cap screws 3 ft lbs [4 Nm]

Fig. 18.8 RH DM unit installed in track

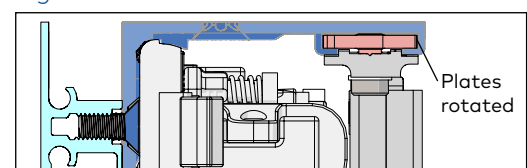


Fig. 18 (Con't)

Fig. 18.9 LH DM unit

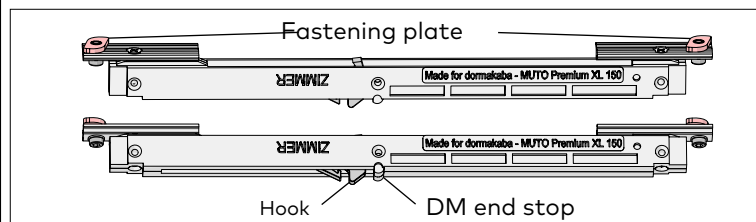


Fig. 18.10 LH DM unit fastening plates rotated

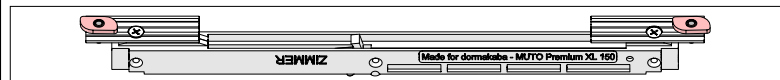


Fig. 18.11 LH DM unit inserted in track

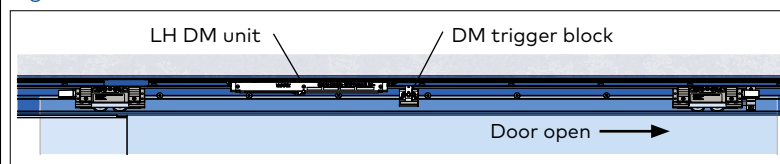


Fig. 18.12 DM unit hook positioned in trigger

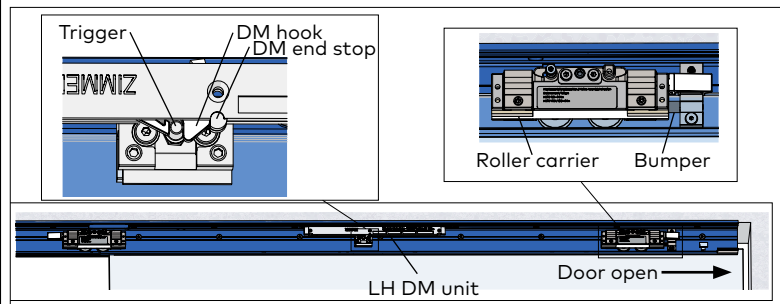


Fig. 18.13 DM unit end stop and hook separation adjustment

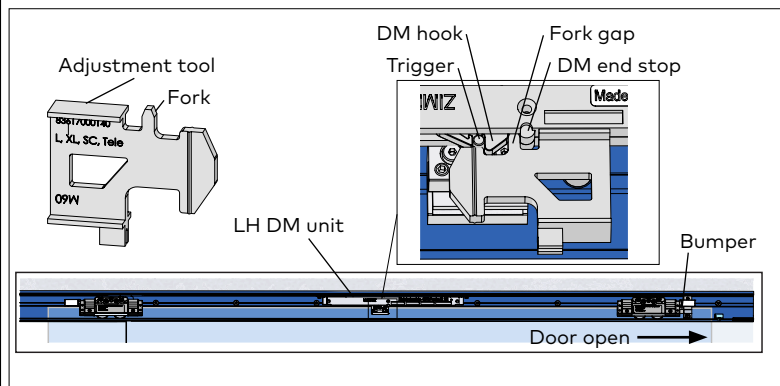
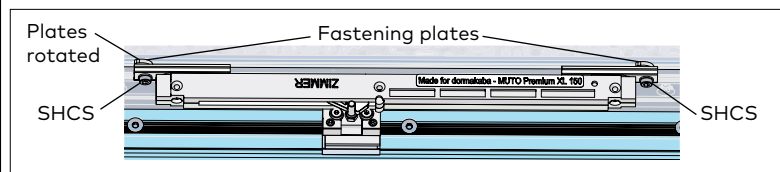


Fig. 18.14 LH DM unit fastening plates secured in track



**LH Dormotion -door open**

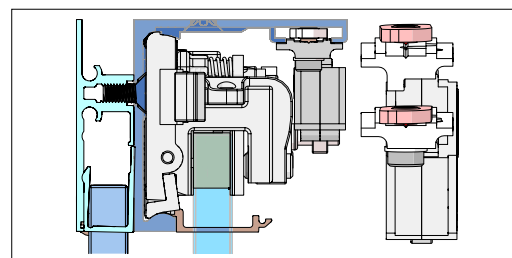
**2.19.6 Rotate DM fastening plates.**

- Using 4 mm hex key, loosen fastening plate hex screws.
- Rotate fastening plates until they are parallel to the DM unit (Fig. 18.10)
- Snug hex screws.

**2.19.7 Move door to open position.**

- For installation of LH DM unit, door must be in the open position against bumper.

Fig. 18.15 LH DM unit aligned in track



**2.19.8 Align DM unit in track, engage DM hook in DM trigger.**

- Align DM unit in track (Fig. 18.15).
- Slide DM unit over the DM trigger block until the DM hook engages the DM trigger (Fig. 18.12)

**2.19.9 Set DM unit final position.**

- Place adjustment tool flat against DM unit with fork between DM hook and DM end stop (Fig. 18.13).
- Slide DM unit over until hook and DM end stop are against the fork. This sets 5 mm gap (fork gap).
- **TTrigger height:** Adjust so trigger sets on top of adjustment tool (Para. 2.19)

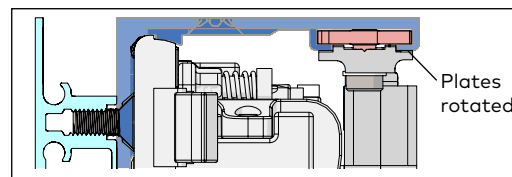
**2.19.10 Secure the DM unit in position.**

- NOTE: Insure door is fully open against bumper before performing this step.
- Using 4 mm hex key, tighten DM unit fastening plate socket head cap screws . Fastening plates must engage the track (Fig. 18.16).

**Torque**

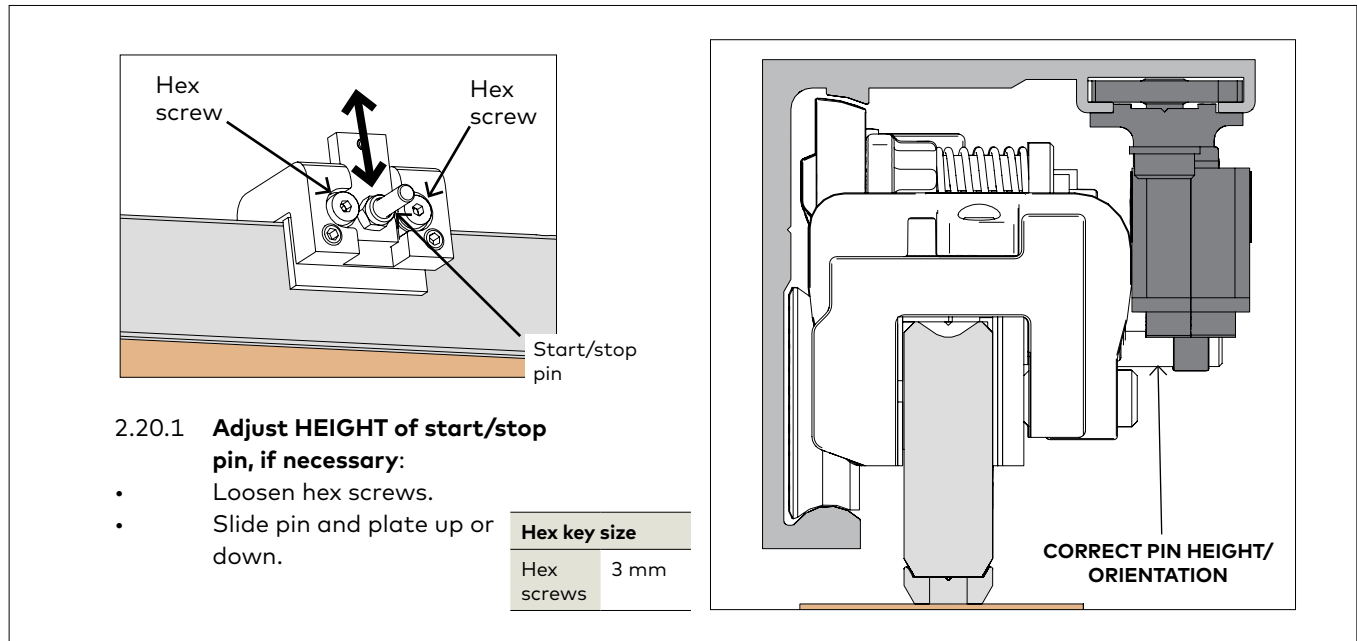
Socket head cap screws 3 ft lbs [4 Nm]

Fig. 18.16 LH DM unit installed in track



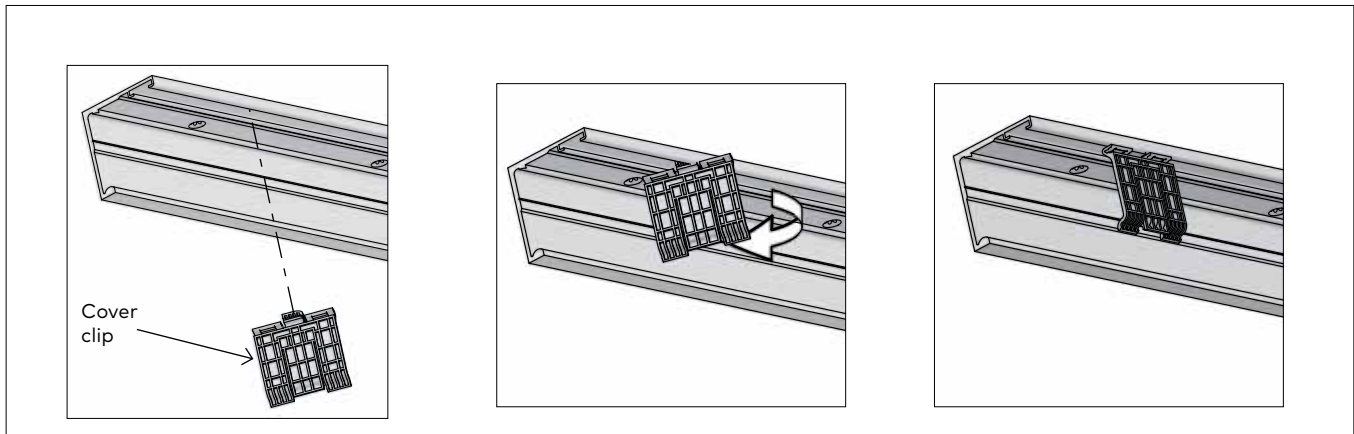
## 2.20 Adjust start/stop pin height (if necessary)

Fig 19



## 2.21 Cover clips

Fig 20

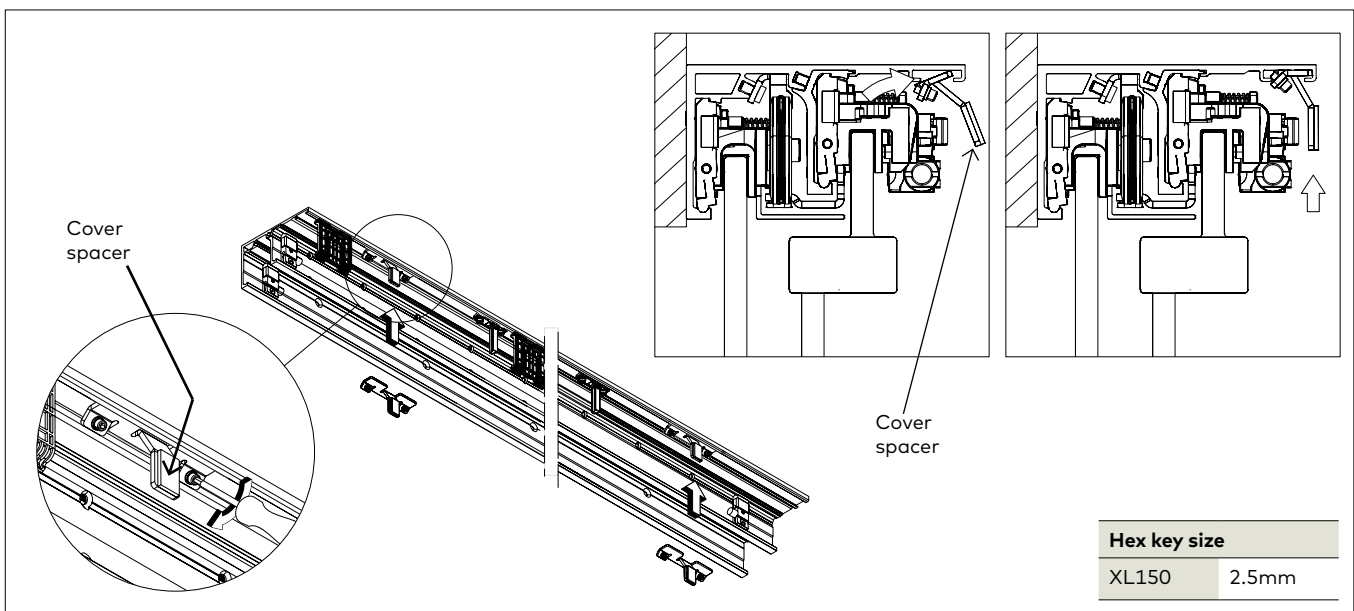


2.21.1 Insert cover clips into track. (One clip per foot)

2.21.2 Insert perpendicular to track, and turn **CLOCKWISE** to snap into place.

## 2.22 Cover spacers

Fig 21



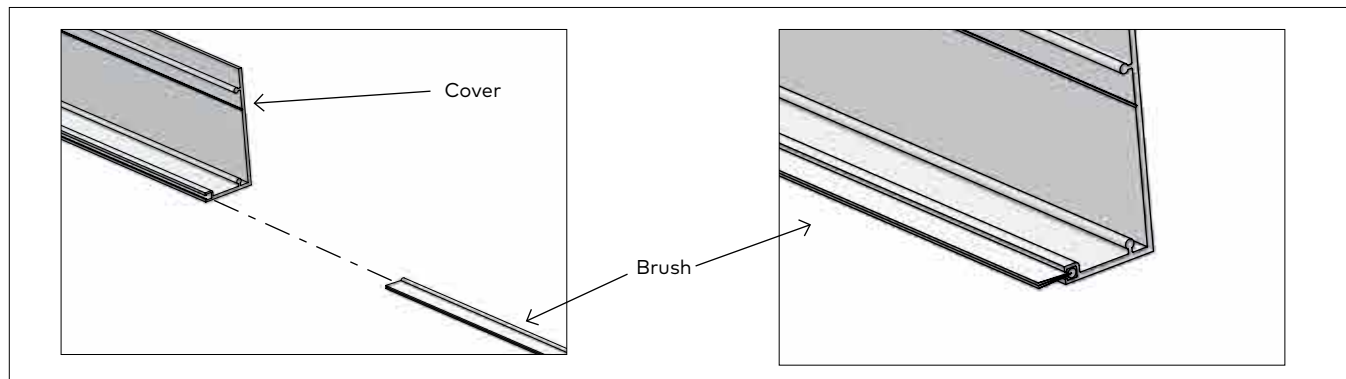
2.22.1 Tip cover spacers into outer most edge of track.

2.22.2 Place one at each end of track as shown.

2.22.3 Tighten at at 1 ft lbs [1Nm] or hand tighten.

## 2.23 Install brush profile

Fig 22

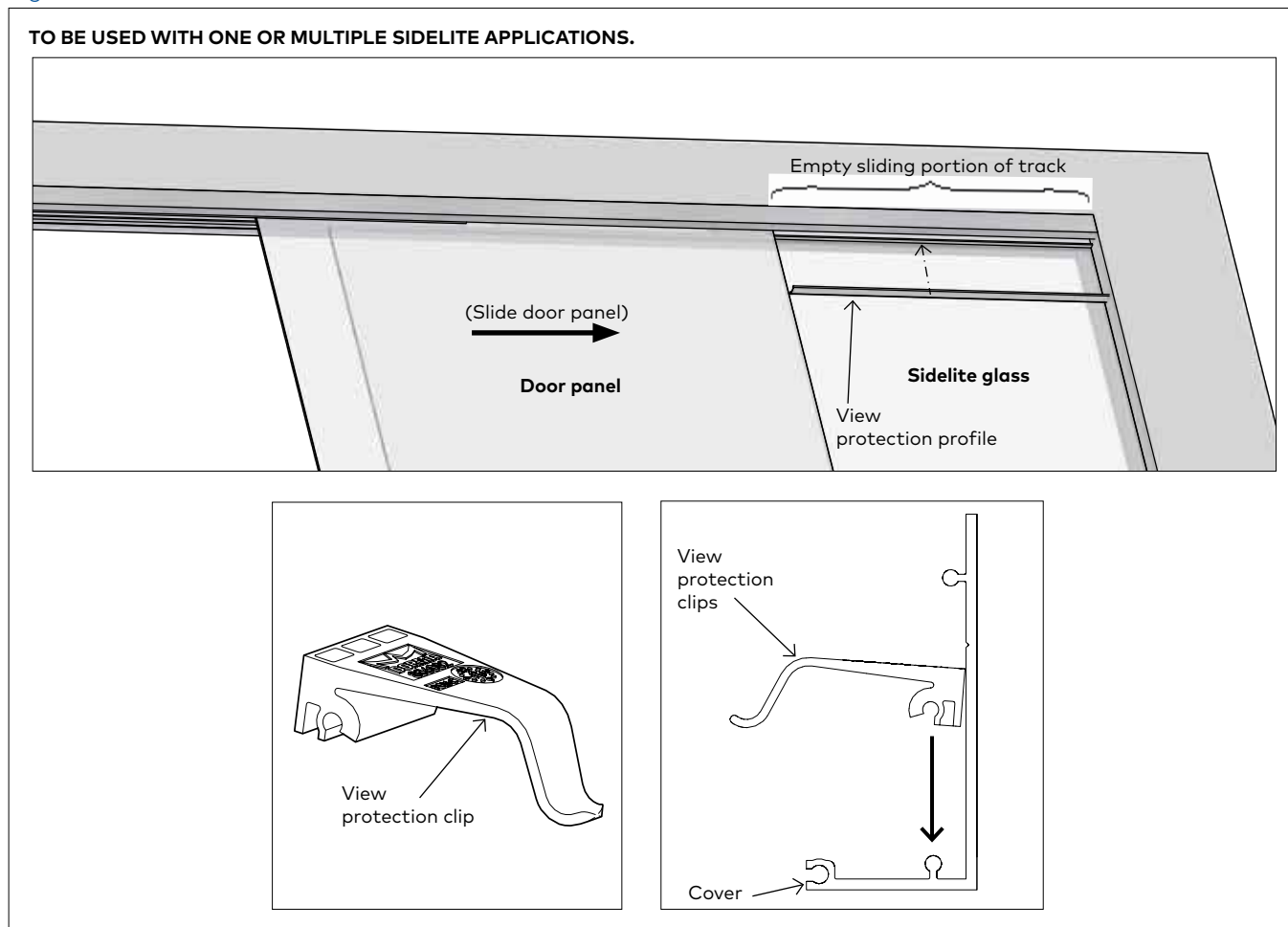


2.23.1 Measure and cut brush to appropriate length.

2.23.2 Slide brush into cover.

## 2.24 Install view protection clips

Fig 23



2.24.1 Slide door open until it meets the end stop.

2.24.2 Measure and cut view protection profile to fit into empty sliding portion of track - 3/16" [5].

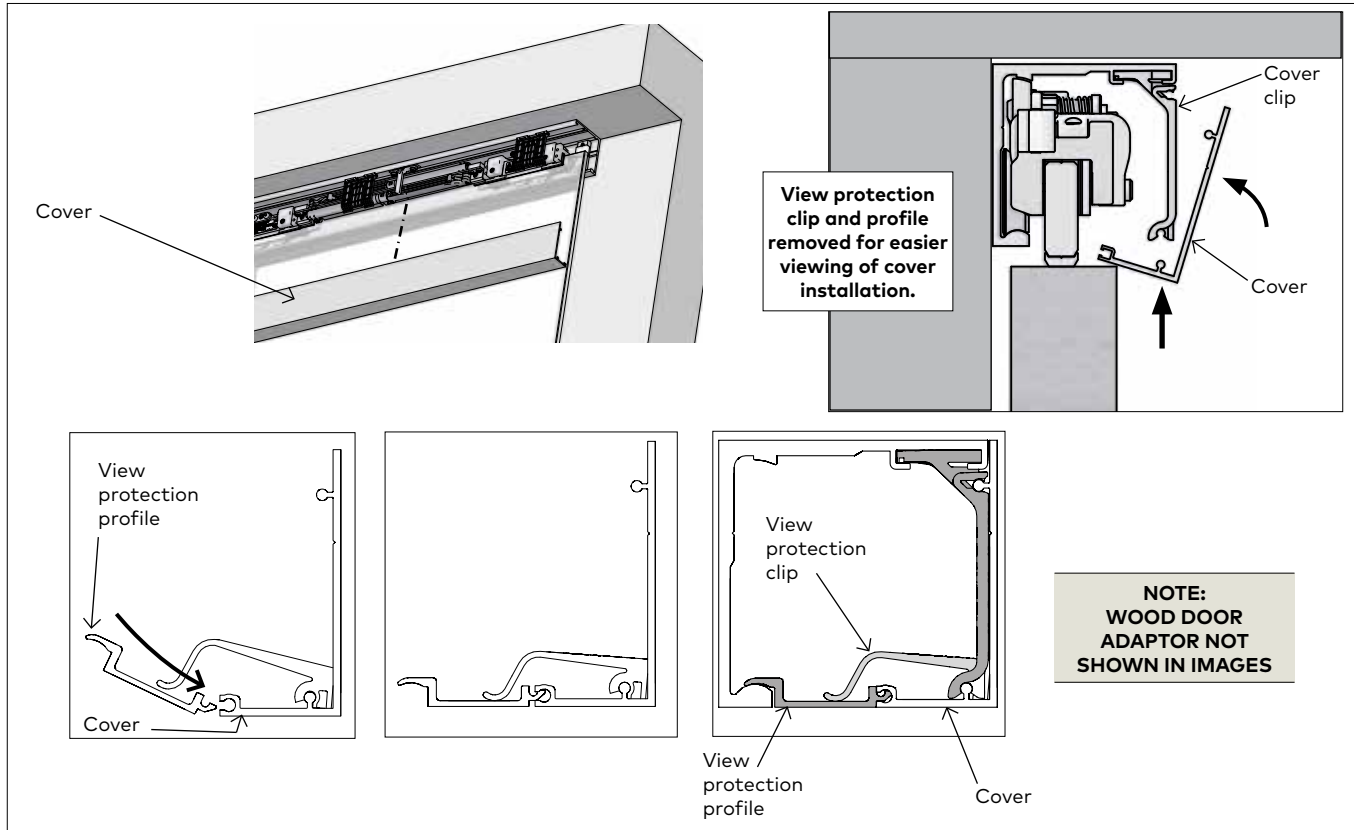
2.24.3 Snap view protection clips onto inside of cover as shown.

2.24.4 Use minimum 1 clip per foot of profile.

**Exception: If profile is minimum of 1 foot in length, use 2 clips.**

## 2.25 Install cover and view protection profile

Fig 24

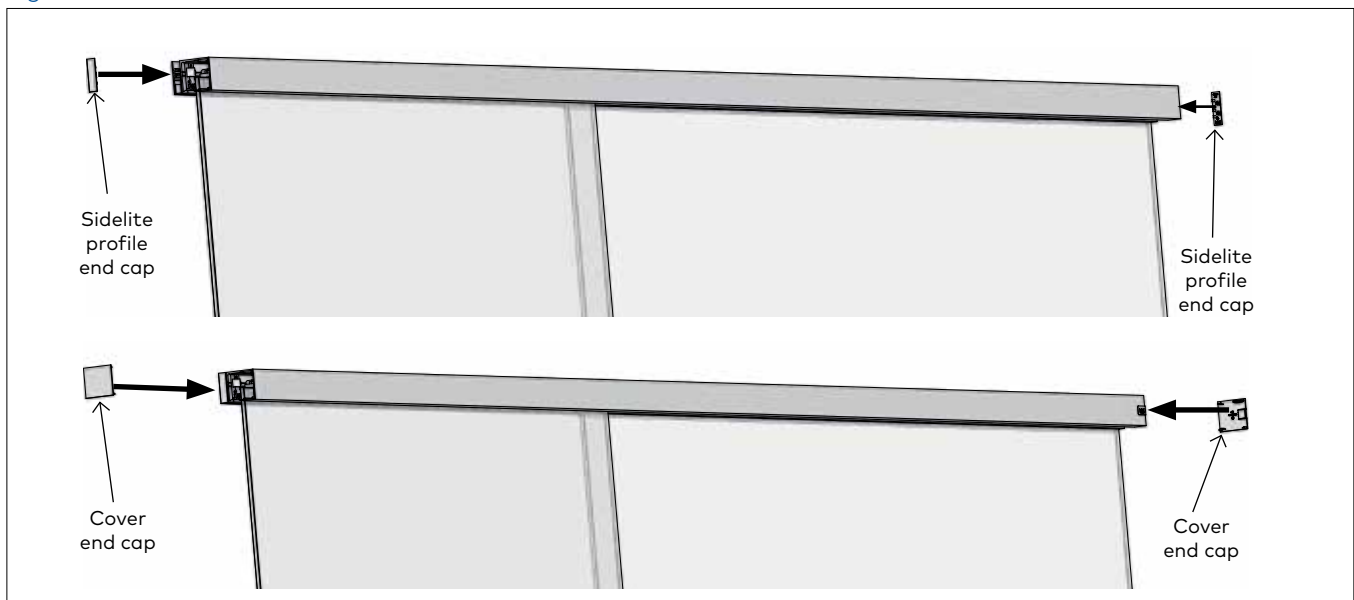


2.25.1 Secure cover to clips and snap into place.  
**NOTE: Roll cover from the bottom upwards. Ensure the bottom of the cover is supported by the groove in the cover clip.**

2.25.2 Tip view protection profile up into track and snap down into cover and onto track as shown.

## 2.26 Install end caps

Fig 25



2.26.1 Snap sidelite profile end caps into sidelite profile.

2.26.2 Snap end caps into cover.

This page left intentionally blank.



**Scan for product details and downloads.**

Call 800-523-8483 or visit  
[glasstechserv.us@dormakaba.com](mailto:glasstechserv.us@dormakaba.com)  
for assistance or warranty information

**dormakaba USA, Inc.**  
**1 Dorma Drive, Drawer AC**  
**Reamstown, PA 17567**